



CO-250

Standalone Electronic Lock

The CO-Series is the ideal solution for customers seeking the added security and convenience of electronic access control without the cost or complexity of a fully networked system.

The CO-250 is a computer programmable offline lock that stores user rights on the magnetic stripe credential, and captures an audit trail in the lock. The CO-250 provides dynamic rights management, meaning you do not have to visit the door to change user access rights. This makes it a cost effective solution for offline environments with a large number of users. The CO-250 also allows you to retrieve audits by using the Handheld Device (HHD) in conjunction with your access control software.

The CO-250 from Schlage offers you many choices. Cylindrical, mortise, mortise deadbolt, and exit trim chassis options are available as well as a wide variety of finishes and levers to suite with your existing hardware.

Mechanical key override is standard and compatible with multiple cylinder types. The CO-Series is also compatible with many popular brands of exit devices.

The CO-Series has been tested the highest standards in the industry to ensure quality and reliability you have come to expect from Schlage. The CO-Series is ANSI/BHMA A156.25, ANSI/BHMA Grade 1 certified and UL 294 listed.



Images shown are not to scale.

Features and Benefits

- Computer programmable with audit trail
- Unlimited number of users and up to 4000 audits*
- Available with Magnetic Stripe and Magnetic Stripe plus Keypad
- Up to 32 holidays & 16 time zones*
- ANSI/BHMA A156.25, ANSI/BHMA Grade 1 certified and UL 294 listed
- User rights stored on the magnetic stripe credential
- The ability to easily add and delete users
- Available in cylindrical, mortise, mortise deadbolt, and exit trim
- Compatible with major brands of key systems and exit devices
- Classroom/Storeroom, Office, and Privacy functions available

*Depending on access control software.

Specifications

CO-250 Electronic Lock Specifications	
Users	Unlimited*
Audits	Up to 4,000*
Credential Verification Time	≤ 1 second
Visual/Audible Communications	Tri-colored LED's & audible indicators
System Interface	Handheld Device
Power Supply	4 AA batteries
Battery Life	Up to 2 yrs with 4 AA batteries
Operating Temperature - Exterior	-31° to 151°F (-35° to 66°C)
Operating Temperature - Interior	32° to 120°F (0° to 49°C) due to batteries
Operating Humidity	0 - 100% condensing
Certifications	ANSI/BHMA A156.25, ANSI/BHMA Grade 1, UL 294, UL 10 C, FCC Part 15, ADA and ROHS
Accessories	Handheld Device (HHD), Magnetic Stripe Credential Encoder (CL-Encoder 2)

*Depending on access control software.

Functions

- ▶ Classroom/Storeroom
- ▶ Office
- ▶ Privacy*

Note: Classroom/Storeroom and Office function not available with Mortise Deadbolt option. To ensure safety, all functions always allow for free egress.

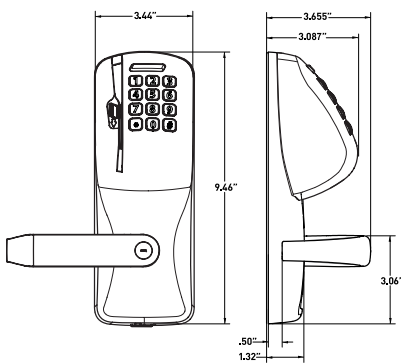
*Door position switch is required for cylindrical and mortise chassis with privacy function.

Standard Status Signals

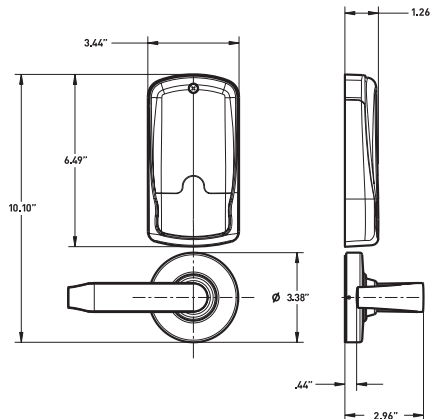
- ▶ Mechanical Key Override
- ▶ Battery Status

Dimensions

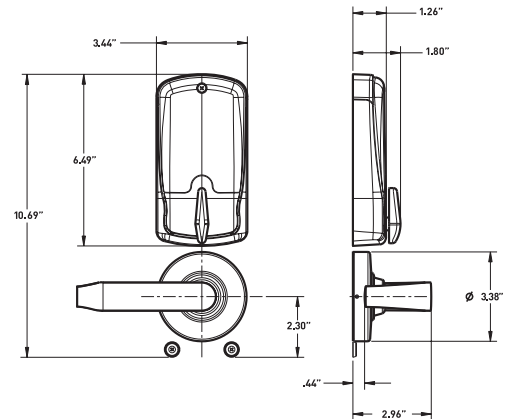
Exterior of the Lock



Interior of the Lock
Cylindrical



Mortise Deadbolt



Schlage Utility Software on Handheld Device

The Schlage Utility Software (SUS) on the Handheld Device (HHD), in conjunction with your access control software, provides an easy way to manage people, audits and locks for simple access control management.

Schlage Utility Software

- Initialize Lock and Accessories
- Field Configure Devices
 - Credential Reader Formats
 - Lock Function
 - Unlock Period
 - Failure Mode
 - Audible Alarm ON/OFF
- Service & Diagnostics
 - Battery Status
 - Validate hardware and software revision
 - Troubleshooting Status Signals

HHD

- 3.5 in LCD display
- Touch Screen/Keypad Backlit
- 32-bit processor
- OS: Windows Mobile 5.0
- Memory: 128 MB RAM/256 MB ROM
- Battery: Rechargeable 3.7 v, 1,230 mAh, Li-ion
- Dimensions: 5.3" x 2.9" x 0.7" (13.5 cm x 7.3 cm x 1.8 cm)
- Weight: 0.42 lbs. (190 g)
- 4 ft. (1.2 m) drop to steel surface, 2 drops per 6 sides



The HHD connects with CO-Series and AD-Series locks and accessories via the USB interface

HHD is also compatible with CM, CL, VIP, WA, and KC2 series locks via a serial cable connection.

Mechanical Specifications		
Chassis	Cylindrical (Based on Schlage ND-Series)	Mortise (Based on Schlage L-Series)
Handing	Handed to Order, Field Reversible	
ANSI Standard	Meets or exceeds A156.25 and A156.2 Series 4000, Grade 1 strength and operational requirements	Meets or exceeds A156.25 and A156.13 Series 1000, Grade 1 operational and security
Door Thickness	1-3/4" standard, 1-3/8" to 2-3/4" optional (available in 1/8" increments)	
Backset	2-3/4" standard, 2-3/8", 3-3/4" and 5" optional	2-3/4" only
Latch Bolt	1/2" throw security latch standard 3/4" throw optional	3/4" throw with anti-friction tongue standard 1" throw deadbolt on Mortise Deadbolt option
Levers	Pressure cast zinc, plated to match finish symbols	Steel, plated to match finish symbols
Strike	ANSI curved lip strike 1-1/4" x 4-7/8" x 1-3/16" lip to center standard, optional strikes, lip lengths and ANSI strike box available	ANSI curved lip strike 1-1/4" x 4-7/8" x 1-3/16" lip to center with dust box standard, optional strikes lip lengths available

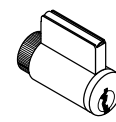
Compatibility

Exit Device Compatibility	Rim	SVR	CVR/CVC	Mortise
Von Duprin 98/99 and 98/99 XP	✓	✓	✓*	✓
Von Duprin 22/22F	✓	✓		
Falcon 25	✓			
Corbin Russwin® 5000	✓			
Precision™ 21 Rim 2100 converts to 21 with Precision's BP21 kit	✓			
Yale® 7000	✓			
Dorma® 9300	✓			
Sargent® 80	✓			

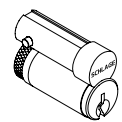
* Metal door only

Cylinder Compatibility	Full Size key-in-lever 6 pin	Full Size key-in-lever 7 pin	FSIC 6 & 7pin	SFIC 6 & 7pin
Schlage	●		●	●
Falcon	▲	◆		▲
Sargent® (10L + 11L Full Size)	▲		▲	▲
Corbin Russwin®			▲	▲
Yale® (includes Medeco 31 *0100 FSIC)			▲	▲
Best®				▲

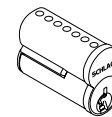
● = with cylinder or less cylinder options
 ◆ = less cylinder, only with Sparta and Rhodes levers
 ▲ = less cylinder only
 Note: See pricebook for specific configurations.



Full Cylinder



Full Size Interchangeable Core



Small Format Interchangeable Core

Reader Specifications



Magnetic Stripe

KEYPAD

- Triple Track Reader (1, 2 or 3), field configurable
- ABA, ISO76XX Standard
- 12 button, 3x4 matrix keypad



Magnetic Stripe

- Triple Track Reader (1, 2 or 3), field configurable
- ABA, ISO76XX Standard

Ordering Information

Available through one of our GSA Schedule 84 approved distributors

Required Fields					Factory Defaults & Options							
Series	Class	Chassis	Function	Reader	Lever Style	Finish	Lever Cylinder	Keying Type	Handing	Backset & Latch	Strike	Door Thickness
1	2	3	4	5	6	7	8	9	10	11	12	13
CO-250	CY-70	MS	SPA	626	PD	C123	RH	13-049	10-025	1-3/4		

Selections Correspond With the Numbers Above

Standard options are indicated in bold. See price book for specific configuration options.

3 Chassis	
CY	Cylindrical
MS	Mortise
MD	Mortise Deadbolt
993R	Exit Trim – Rim/CVR/CVC
993S	Exit Trim – SVR
993M	Exit Trim – Mortise
993DT	Exit Dummy Trim
4 Function	
70	Classroom/Storeroom
50	Office
40	Privacy
5 Reader	
MS	Magnetic Stripe
MSK	Magnetic Stripe + Keypad
6 Lever	
SPA	Sparta
RHO	Rhodes
ATH	Athens
TLR	Tubular
<i>Available with knurled surface</i>	

7 Finish	
626	Satin Chrome
605	Bright Brass
606	Satin Brass
612	Satin Bronze
619	Satin Nickel
625	Bright Chrome
643e	Aged Bronze
626AM	Satin Chrome Antimicrobial
8 Lever Cylinder Type	
PD	Schlage 6-pin Full Cylinder
<i>See price book for other SFIC, FSIC and Less Cores options available. Compatible with Schlage, Sargent, Corbin, Medeco and Yale</i>	
9 Keyway Type	
C123 Everest	
<i>See price book for other available keyway options including master keying</i>	
10 Handing	
RH Right Handed	
RHR	Right Handed Reverse
LH	Left Handed
LHR	Left Handed Reverse
<i>Field reversible</i>	

11 Backset & Latch or Armor Front	
Cylindrical	
13-049	2-3/4" Backset, Deadlatch, Square Corner, 1-1/8" x 2-1/4"
Mortise	
09-663	Armor Front, 1-1/4" Wide, Square Corner
<i>See price book for mortise deadbolt and other backset and latch options or armor front options</i>	
12 Strike	
Cylindrical	
10-025	1-3/16 Lip, ANSI, No Box, 1-1/4" x 4-7/8"
Mortise	
10-072	1-3/16" Lip, 1-1/4" x 4-7/8" Square Corner, Box
<i>See price book for other available strikes</i>	
13 Door Thickness	
1-3/4"	
Other thicknesses available between 1-3/8" and 2-3/4"	
<i>See price book for detail.</i>	

Lever styles

Standard cylinders shown, SFIC and FSIC also available.



Sparta

Rhodes



Athens

Tubular

Warm tone finishes



605 Bright Brass

606 Satin Brass

612 Satin Bronze

643e Aged Bronze

Cool tone finishes



619 Satin Nickel

625 Bright Chrome

626 Satin Chrome

626AM Satin Chrome Antimicrobial

INGERSOLL RAND, the Ingersoll Rand logo, SCHLAGE, the SCHLAGE logo, XceedID, Von Duprin and Falcon are trademarks of Ingersoll-Rand plc, its subsidiaries and/or affiliates in the United States and other countries. Sargent is a trademark of Sargent Manufacturing Company. Corbin Russwin is a trademark of Corbin Russwin, Inc. Yale is a trademark of Yale Security, Inc. Best and Precision are trademarks of Stanley Black & Decker. Dorma is a trademark of DORMA Door Controls, Inc. All other trademarks are the property of their respective owners.

