



## CO-200

### Standalone Electronic Lock

The CO-Series is the ideal solution for customers seeking the added security and convenience of electronic access control without the cost or complexity of a fully networked system.

The CO-200 is computer or manually programmable with users rights stored on the lock. The Handheld Device (HHD) used in conjunction with your access control software, allows you to easily add or delete users and retrieve audits.

By issuing electronic credentials you can minimize the number of mechanical keys issued which protects the integrity of your key system. A variety of credential readers are also available including: keypad only, magnetic stripe, and proximity. The magnetic stripe and proximity readers are also available with keypad for the added security of dual authentication.

Cylindrical, mortise, mortise deadbolt, and exit trim chassis options are available as well as a wide variety of finishes and levers to suite with your existing hardware.

Mechanical key override is standard and compatible with multiple cylinder types. The CO-Series is also compatible with many popular brands and types of exit devices.

The CO-Series has been tested the highest standards in the industry to ensure quality and reliability you have come to expect from Schlage. The CO-Series is ANSI/BHMA A156.25, ANSI/BHMA Grade 1 certified and UL 294 listed.



Images shown are not to scale.

#### Features and Benefits

- Computer programmable with audit trail
- Up to 2000 users & up to 2000 audits\*
- Up to 32 holidays & 16 time zones\*
- ANSI/BHMA A156.25, ANSI/BHMA Grade 1 certified and UL 294 listed
- User rights stored on the lock
- The ability to add and delete users at the lock
- Available in cylindrical, mortise, mortise deadbolt, and exit trim
- Compatible with major brands of key systems and exit devices
- Classroom/Storeroom, Office, and Privacy functions available

\*Depending on access control software.

# Specifications

CO-200 Electronic Lock Specifications	
<b>Users</b>	Up to 2,000*
<b>Audits</b>	Up to 2,000*
<b>Credential Verification Time</b>	≤ 1 second
<b>Visual/Audible Communications</b>	Tri-colored LED's & audible indicators
<b>Power Supply</b>	4 AA batteries (standard off the shelf: included)
<b>Voltage Range</b>	4 VDC to 7 VDC
<b>Max Current Requirement</b>	Up to 250 mA
<b>Battery Life</b>	Up to 2 yrs with 4 AA batteries
<b>Operating Temperature - Exterior</b>	-31° to 151°F (-35° to 66°C)
<b>Operating Temperature - Interior</b>	32° to 120°F (0° to 49°C) due to batteries
<b>Operating Humidity</b>	0 - 100% condensing
<b>Certifications</b>	ANSI/BHMA A156.25, ANSI/BHMA Grade 1, UL 294, UL 10 C, FCC Part 15, ADA and RoHS

\*Depending on access control software.

## Functions

- ▶ Classroom/Storeroom
- ▶ Office
- ▶ Privacy\*

**Note:** Classroom/Storeroom and Office function not available with Mortise Deadbolt option. To ensure safety, all functions always allow for free egress.

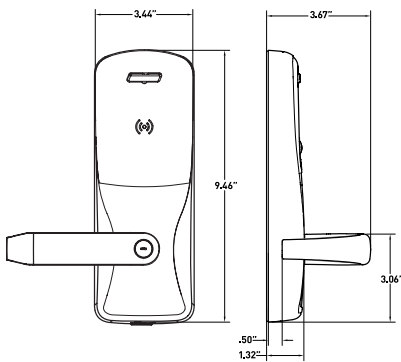
\*Door position switch is required for cylindrical and mortise chassis with privacy function.

## Standard Status Signals

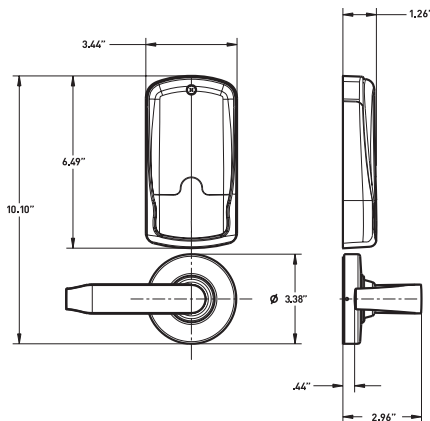
- ▶ Mechanical Key Override
- ▶ Battery Status - indicated by blinking lights

## Dimensions

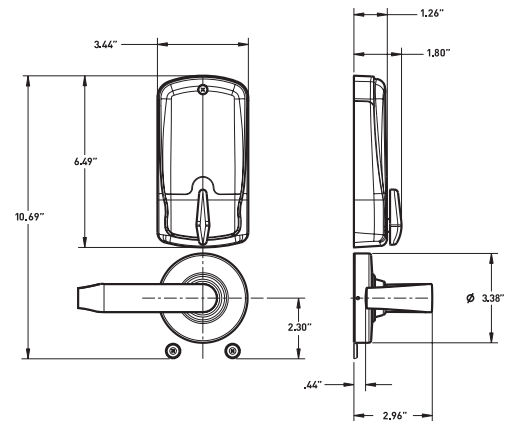
Exterior of the Lock



Interior of the Lock  
Cylindrical



Mortise Deadbolt



## Schlage Utility Software on Handheld Device

The Schlage Utility Software (SUS) on the Handheld Device (HHD), in conjunction with your access control software, provides an easy way to manage people, audits and locks for simple access control management.

### Schlage Utility Software

- Initialize Lock and Accessories
- Field Configure Devices
  - Credential Reader Formats
  - Lock Function
  - Unlock Period
  - Failure Mode
  - Audible Alarm ON/OFF
- Service & Diagnostics
  - Battery Status
  - Validate hardware and software revision
  - Troubleshooting Status Signals

### HHD

- 3.5 in LCD display
- Touch Screen/Keypad Backlit
- 32-bit processor
- OS: Windows Mobile 5.0
- Memory: 128 MB RAM/256 MB ROM
- Battery: Rechargeable 3.7 v, 1,230 mAh, Li-ion
- Dimensions: 5.3" x 2.9" x 0.7" (13.5 cm x 7.3 cm x 1.8 cm)
- Weight: 0.42 lbs. (190 g)
- 4 ft. (1.2 m) drop to steel surface, 2 drops per 6 sides



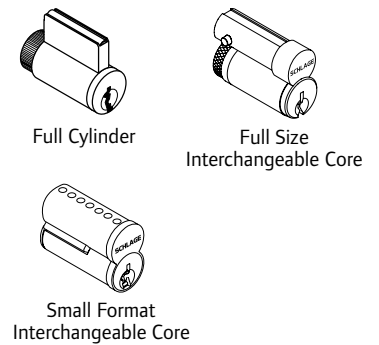
The HHD connects with CO-Series and AD-Series locks and accessories via the USB interface

HHD is also compatible with CM, CL, VIP, WA, and KC2 series locks via a serial cable connection.

Mechanical Specifications		
Chassis	Cylindrical (Based on Schlage ND-Series)	Mortise (Based on Schlage L-Series)
Handing	Handed to Order, Field Reversible	
ANSI Standard	Meets or exceeds A156.25 and A156.2 Series 4000, Grade 1 strength and operational requirements	Meets or exceeds A156.25 and A156.13 Series 1000, Grade 1 operational and security
Door Thickness	1-3/4" standard, 1-3/8" to 2-3/4" optional (available in 1/8" increments)	
Backset	2-3/4" standard, 2-3/8", 3-3/4" and 5" optional	2-3/4" only
Latch Bolt	1/2" throw security latch standard 3/4" throw optional	3/4" throw with anti-friction tongue standard 1" throw deadbolt on Mortise Deadbolt option
Levers	Pressure cast zinc, plated to match finish symbols	Steel, plated to match finish symbols
Strike	ANSI curved lip strike 1-1/4" x 4-7/8" x 1-3/16" lip to center standard, optional strikes, lip lengths and ANSI strike box available	ANSI curved lip strike 1-1/4" x 4-7/8" x 1-3/16" lip to center with dust box standard, optional strikes lip lengths available

Cylinder Compatibility	Full Size key-in-lever 6 pin	Full Size key-in-lever 7 pin	FSIC 6 & 7 pin	SFIC 6 & 7 pin
Schlage	●		●	●
Falcon	▲	◆		▲
Sargent® (10L + 11L Full Size)	▲		▲	▲
Corbin Russwin®			▲	▲
Yale® (also includes Medeco 31*0100 FSIC)			▲	▲
Best®				▲

● = with cylinder or less cylinder options      ▲ = less cylinder only  
◆ = less cylinder, only with Sparta and Rhodes levers      Note: See pricebook for specific configurations.



Reader Specifications			
	Keypad	Magnetic Stripe	Proximity
Frequency Standards	N/A	ABA, ISO76XX Standard High & Low Coercivity	125 kHz
Maximum Read Range	N/A	N/A (Swipe card)	up to 1.25"
Compatibility	3-6 digit pin code	Triple Track Reader (1, 2 or 3), field configurable	Schlage, XceedID®, HID®, GE/CASI ProxLite™ and AWID®
Compatible Schlage Credentials	N/A	Configurable to read complete track 1, 2 or 3	125 kHz Proximity Clamshell (SXF7410), 125 kHz Proximity ISO Card (SXF7510), 125 kHz ISO Card w/ Magnetic Stripe (SXF7510MS)
Style/Layout	12-button, 3x4 matrix	Option for 12-button, 3x4 matrix	Option for 12-button, 3x4 matrix

The combo proximity keyfobs with iButton® option are available which allows you to manage proximity and iButton® technologies in the same facility.



### Available CO-200 Reader Options



• Keypad



• Proximity  
+ KEYPAD



• Proximity



• Magnetic Stripe



• Magnetic Stripe  
+ KEYPAD

# Ordering Information

Available through one of our GSA Schedule 84 approved distributors

Required Fields										Factory Defaults & Options		
CO-200-CY-70-PR-SPA-626-PD-C123-RH-13-049-10-025-1-3/4												
Series	Class	Chassis	Function	Reader	Lever Style	Finish	Lever Cylinder	Keying Type	Handing	Backset & Latch	Strike	Door Thickness
1	2	3	4	5	6	7	8	9	10	11	12	13

## Selections Correspond With the Numbers Above

Standard options are indicated in bold. See price book for specific configuration options.

3 Chassis	
CY	Cylindrical
MS	Mortise
MD	Mortise Deadbolt
993R	Exit Trim – Rim/CVR/CVC
993S	Exit Trim – SVR
993M	Exit Trim – Mortise
993DT	Exit Dummy Trim
4 Function	
70	Classroom/Storeroom
50	Office
40	Privacy
5 Reader	
KP	Keypad
MS	Magnetic Stripe
MSK	Magnetic Stripe + Keypad
PR	Proximity
PRK	Proximity + Keypad
6 Lever	
SPA	Sparta
RHO	Rhodes
ATH	Athens
TLR	Tubular

*Available with knurled surface*

7 Finish	
626	Satin Chrome
605	Bright Brass
606	Satin Brass
612	Satin Bronze
619	Satin Nickel
625	Bright Chrome
643e	Aged Bronze
626AM	Satin Chrome Antimicrobial
8 Lever Cylinder Type	
PD	Schlage 6-pin Full Cylinder
9 Keyway Type	
<b>C123 Everest</b>	
10 Handing	
<b>RH Right Handed</b>	
RHR	Right Handed Reverse
LH	Left Handed
LHR	Left Handed Reverse

11 Backset & Latch or Armor Front	
<b>Cylindrical</b>	
<b>13-049</b>	<b>2-3/4" Backset, Deadlatch, Square Corner, 1-1/8" x 2-1/4"</b>
<b>Mortise</b>	
<b>09-663</b>	<b>Armor Front, 1-1/4" Wide, Square Corner</b>
12 Strike	
<b>Cylindrical</b>	
<b>10-025</b>	<b>1-3/16 Lip, ANSI, No Box, 1-1/4" x 4-7/8"</b>
<b>Mortise</b>	
<b>10-072</b>	<b>1-3/16" Lip, 1-1/4" x 4-7/8" Square Corner, Box</b>
13 Door Thickness	
<b>1-3/4"</b>	

## Lever styles

Standard cylinders shown, SFIC and FSIC also available.



Sparta



Rhodes



Athens



Tubular

## Warm tone finishes



605  
Bright Brass



606  
Satin Brass



612  
Satin Bronze



643e  
Aged Bronze

## Cool tone finishes



619  
Satin Nickel



625  
Bright Chrome



626  
Satin Chrome



626AM  
Satin Chrome Antimicrobial

INGERSOLL RAND, the Ingersoll Rand logo, SCHLAGE, the SCHLAGE logo, XceedID, Von Duprin and Falcon are trademarks of Ingersoll-Rand plc, its subsidiaries and/or affiliates in the United States and other countries. Sargent is a trademark of Sargent Manufacturing Company. Corbin Russwin is a trademark of Corbin Russwin, Inc. Yale is a trademark of Yale Security, Inc. Best and Precision are trademarks of Stanley Black & Decker. Dorma is a trademark of DORMA Door Controls, Inc. All other trademarks are the property of their respective owners.

