



CO-100

Standalone Electronic Lock

The CO-Series is the ideal solution for customers seeking the added security and convenience of electronic access control without the cost or complexity of a fully networked system.

The CO-100 is a standalone lock that is manually programmable. User rights for the CO-100 are stored on the lock. Unique PIN codes can be assigned to each user. This minimizes the number of mechanical keys issued which protects the integrity of your key system. PIN codes can be easily added or deleted at anytime right at the door.

The CO-100 from Schlage offers you many choices. Cylindrical, mortise, and exit trim chassis options are available as well as a wide variety of finishes and levers to suite with your existing hardware.

Mechanical key override is standard and compatible with multiple cylinder types. The CO-Series is also compatible with many popular brands of exit devices.

The CO-Series has been tested the highest standards in the industry to ensure quality and reliability you have come to expect from Schlage. The CO-Series is ANSI/BHMA A156.25, ANSI/BHMA Grade 1 certified and UL 294 listed.



Images shown are not to scale.

Features and Benefits

- Manually Programmable
- Up to 500 unique 3-6 digit PIN codes stored on the lock
- ANSI/BHMA A156.25, ANSI/BHMA Grade 1 certified and UL 294 listed
- Classroom/Storeroom function and Office function available
- Chassis options include cylindrical, mortise, and exit trim
- Compatible with most major brands of key systems and exit devices
- Normal, toggle, pass through, and freeze credential attributes available

Specifications

CO-100 Electronic Lock Specifications	
Users	500
Credential Verification Time (Keypad Only)	≤ 1 second
Visual/Audible Communications	Tri-colored LED's & audible indicators
Power Supply	4 AA batteries (standard off the shelf: included)
Battery Life	Up to 2 yrs with 4 AA batteries
Operating Temperature - Exterior	-31° to 151°F (-35° to 66°C)
Operating Temperature - Interior	32° to 120°F (0° to 49°C) due to battery
Operating Humidity	0 - 100% condensing
Certifications	ANSI/BHMA A156.25, ANSI/BHMA Grade 1, UL 294, UL 10 C, FCC Part 15, ADA and RoHS

Functions

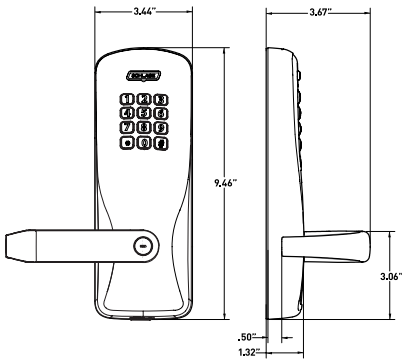
- ▶ Classroom/Storeroom
- ▶ Office

Standard Status Signals

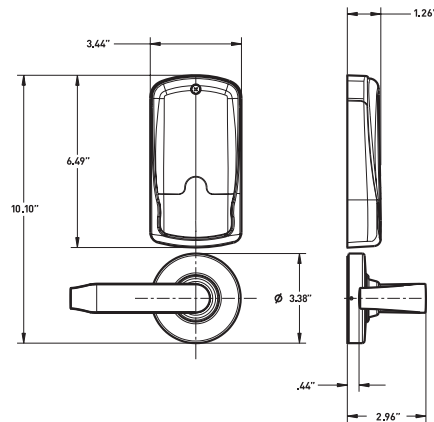
- ▶ *Battery Status* - indicated by blinking lights

Dimensions

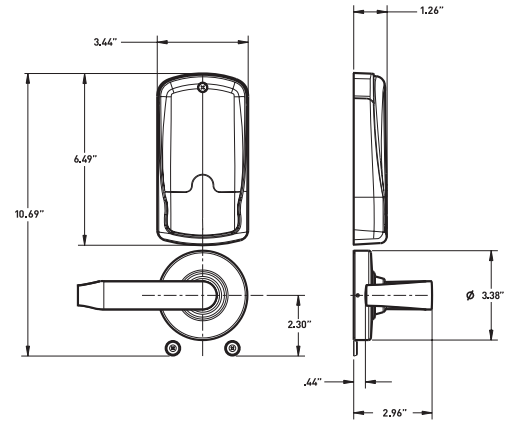
Exterior of the Lock



Interior of the Lock
Cylindrical



Mortise



Manually Programmable Options	
Credential Type	Function
Programming*	Used to enable programming of the lock. Does not unlock the lock.
Normal Use*	Unlocks the lock momentarily when in a normally secured state.
Toggle*	Changes the state of the lock unless in Freeze state.
Freeze*	Maintains the lock in current state until Freeze PIN is entered again.
Pass-through*	Unlocks a lock momentarily, regardless of state.

*Credentials can be 3-6 digits in length.

Mechanical Specifications		
Chassis	Cylindrical (Based on Schlage ND-Series)	Mortise (Based on Schlage L-Series)
Handing	Handed to Order, Field Reversible	
ANSI Standard	Meets or exceeds A156.25 and A156.2 Series 4000, Grade 1 strength and operational requirements	Meets or exceeds A156.25 and A156.13 Series 1000, Grade 1 operational and security
Door Thickness	1-3/4" standard, 1-3/8" to 2-3/4" optional (available in 1/8" increments)	
Backset	2-3/4" standard, 2-3/8", 3-3/4" and 5" optional	2-3/4" only
Latch Bolt	1/2" throw security latch standard 3/4" throw optional	3/4" throw with anti-friction tongue standard
Levers	Pressure cast zinc, plated to match finish symbols	Steel, plated to match finish symbols
Strike	ANSI curved lip strike 1-1/4" x 4-7/8" x 1-3/16" lip to center standard, optional strikes, lip lengths and ANSI strike box available	ANSI curved lip strike 1-1/4" x 4-7/8" x 1-3/16" lip to center with dust box standard, optional strikes lip lengths available

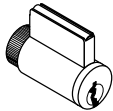
Compatibility

Exit Device Compatibility	Rim	SVR	CVR/CVC	Mortise
Von Duprin 98/99 and 98/99 XP	✓	✓	✓*	✓
Von Duprin 22/22F	✓	✓		
Falcon 25	✓			
Corbin Russwin® 5000	✓			
Precision™ 21 Rim 2100 converts to 21 with Precision's BP21 kit	✓			
Yale® 7000	✓			
Dorma® 9300	✓			
Sargent® 80	✓			

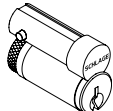
* Metal door only

Cylinder Compatibility	Full Size key-in-lever 6 pin	Full Size key-in-lever 7 pin	FSIC 6 & 7pin	SFIC 6 & 7pin
Schlage	●		●	●
Falcon	▲	◆		▲
Sargent® (10L + 11L Full Size)	▲		▲	▲
Corbin Russwin®			▲	▲
Yale® (also includes Medeco 31*0100 FSIC)			▲	▲
Best®				▲

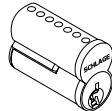
● = with cylinder or less cylinder options
 ▲ = less cylinder only
 ◆ = less cylinder, only with Sparta and Rhodes levers
 Note: See pricebook for specific configurations.



Full Cylinder



Full Size Interchangeable Core



Small Format Interchangeable Core

Ordering Information

Available through one of our GSA Schedule 84 approved distributors

Required Fields				Factory Defaults & Options								
CO - 100 - CY - 70 - KP - SPA - 626 - PD - C123 - RH - 13-049 - 10-025 - 1-3/4												
Series	Class	Chassis	Function	Reader	Lever Style	Finish	Lever Cylinder	Keying Type	Handing	Backset & Latch	Strike	Door Thickness
1	2	3	4	5	6	7	8	9	10	11	12	13

Selections Correspond With the Numbers Above

Standard options are indicated in bold. See price book for specific configuration options.

3 Chassis	
CY	Cylindrical
MS	Mortise
993R	Exit Trim – Rim/CVR/CVC
993S	Exit Trim – SVR
993M	Exit Trim – Mortise
993DT	Exit Dummy Trim
4 Function	
70	Classroom/Storeroom
50	Office
5 Reader	
KP	Keypad
6 Lever	
SPA	Sparta
RHO	Rhodes
ATH	Athens
TLR	Tubular
<i>Available with knurled surface</i>	

7 Finish	
626	Satin Chrome
605	Bright Brass
606	Satin Brass
612	Satin Bronze
619	Satin Nickel
625	Bright Chrome
643e	Aged Bronze
626AM	Satin Chrome Antimicrobial
8 Lever Cylinder Type	
PD	Schlage 6-pin Full Cylinder
<i>See price book for other SFIC, FSIC and Less Cores options available. Compatible with Schlage, Sargent, Corbin, Medeco and Yale</i>	
9 Keyway Type	
C123 Everest	
<i>See price book for other available keyway options including master keying</i>	
10 Handing	
RH	Right Handed
RHR	Right Handed Reverse
LH	Left Handed
LHR	Left Handed Reverse
<i>Field reversible</i>	

11 Backset & Latch or Armor Front	
Cylindrical	
13-049	2-3/4" Backset, Deadlatch, Square Corner, 1-1/8" x 2-1/4"
Mortise	
09-663	Armor Front, 1-1/4" Wide, Square Corner
12 Strike	
Cylindrical	
10-025	1-3/16 Lip, ANSI, No Box, 1-1/4" x 4-7/8"
Mortise	
10-072	1-3/16" Lip, 1-1/4" x 4-7/8" Square Corner, Box
<i>See price book for other available strikes</i>	
13 Door Thickness	
1-3/4"	
Other thicknesses available between 1-3/8" and 2-3/4"	
<i>See price book for details</i>	

Lever styles

Standard cylinders shown, SFIC and FSIC also available.



Sparta



Rhodes



Athens



Tubular

Warm tone finishes



605
Bright Brass



606
Satin Brass



612
Satin Bronze



643e
Aged Bronze

Cool tone finishes



619
Satin Nickel



625
Bright Chrome



626
Satin Chrome



626AM
Satin Chrome Antimicrobial

INGERSOLL RAND, the Ingersoll Rand logo, SCHLAGE, the SCHLAGE logo, XceedID, Von Duprin and Falcon are trademarks of Ingersoll-Rand plc, its subsidiaries and/or affiliates in the United States and other countries. Sargent is a trademark of Sargent Manufacturing Company. Corbin Russwin is a trademark of Corbin Russwin, Inc. Yale is a trademark of Yale Security, Inc. Best and Precision are trademarks of Stanley Black & Decker. Dorma is a trademark of DORMA Door Controls, Inc. All other trademarks are the property of their respective owners.

